



**series PFG
fixed delivery
gear pump**

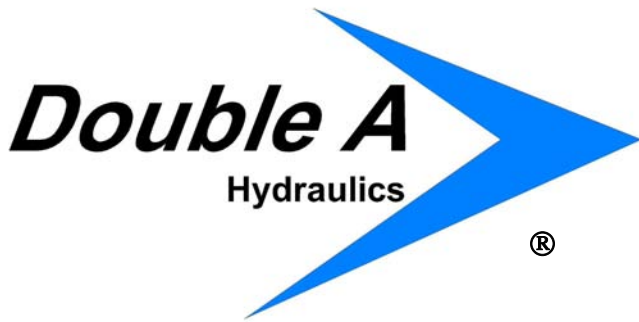


536 TOWNSHIP LINE ROAD
FLUID TECHNOLOGY ANNEX
BLUE BELL, PENNSYLVANIA 19422
Tel: 215.643.0617
Fax: 215.643.4017
sales@doubleahydraulics.com

.5 thru 5 gpm, 2000 psi

**clockwise and counter-
clockwise rotation**

50 to 1725 rpm



PFG Series Pumps

Application and Performance

The PFG series pumps are self-priming rotary gear type with fixed displacement. They are designed to provide quiet and efficient service. Nominal flow rates at 1725 rpm are 0.5 to 5 gpm. These pumps are designed to operate at pressures up to 2000 psi and liquid viscosities of 100 SSU to 1000 SSU. They may be used in hydraulic or fluid transfer applications.

PFG pumps are made from cast iron castings with precision machined and heat treated steel gears, a case hardened steel shaft, and needle bearings. The lip seal cavity is connected to the intake (low pressure) port to prevent pressure build up on the shaft seal. Pumps are therefore uni-directional, and are assembled for either clockwise or counterclockwise rotation (facing the shaft). The pump sections are mated using precision ground and lapped joints, with no gaskets required.

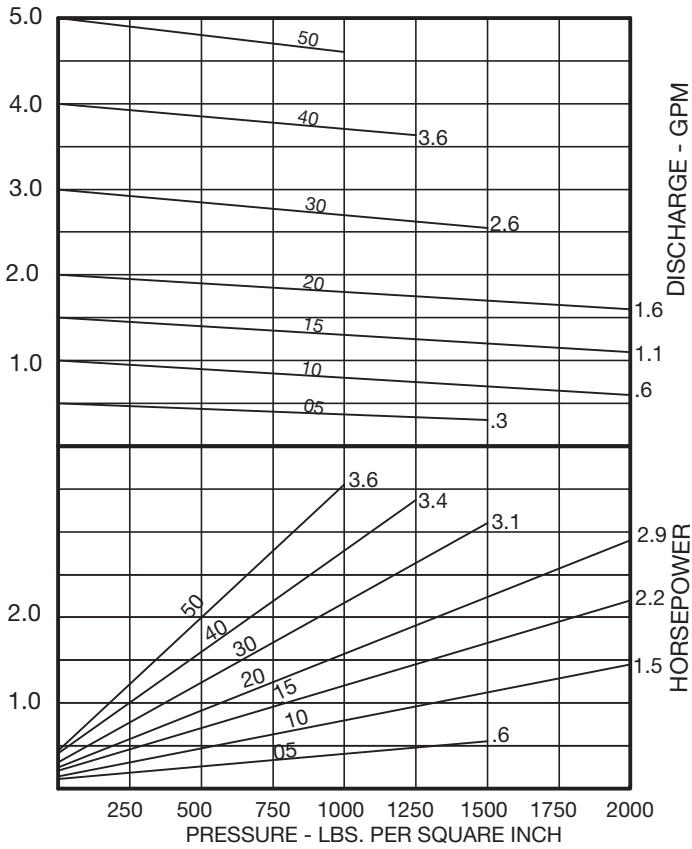
Ordering Information

SERIES	SIZE NOM	PORTS	ROTATION	SHAFT	SEAL	DESIGN SERIES
PFG	05	No Symbol –	No Symbol –	No Symbol –	No Symbol –	10B1
Pump, Fixed Delivery Gear	10	3/8 NPTF Dry Seal Taper Pipe Threads	Clockwise (as Viewed from Shaft End)	Straight Keyed	For Petroleum Base Fluids	
	15					
	20					
	30					
	40					
50	Counter- Clockwise (as Viewed from Shaft End)	C	V Viton			

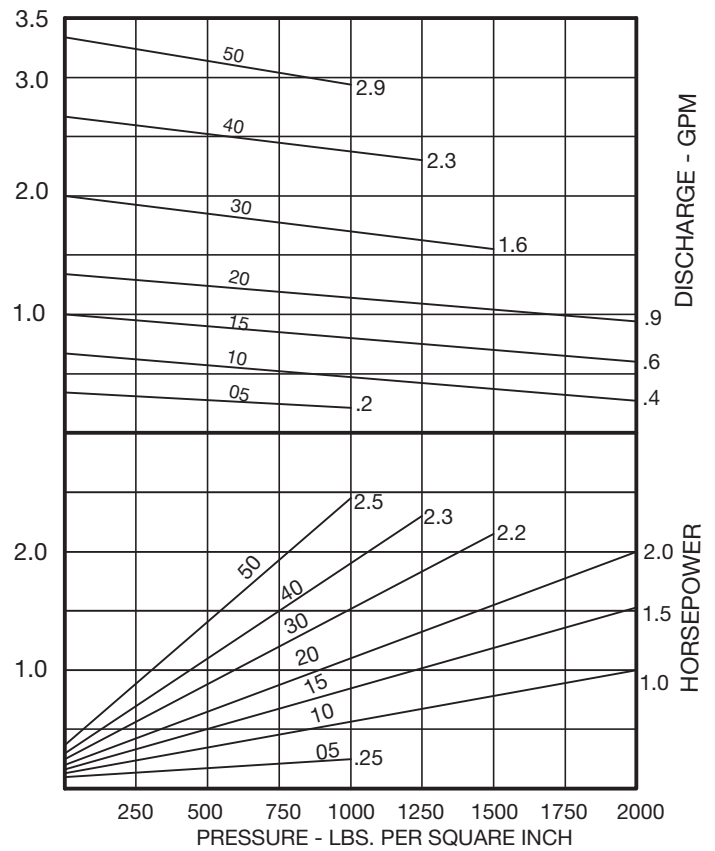
Accessories

Foot Mount Bracket

**PFG PERFORMANCE DATA
1725 RPM - 100 SSU OIL**



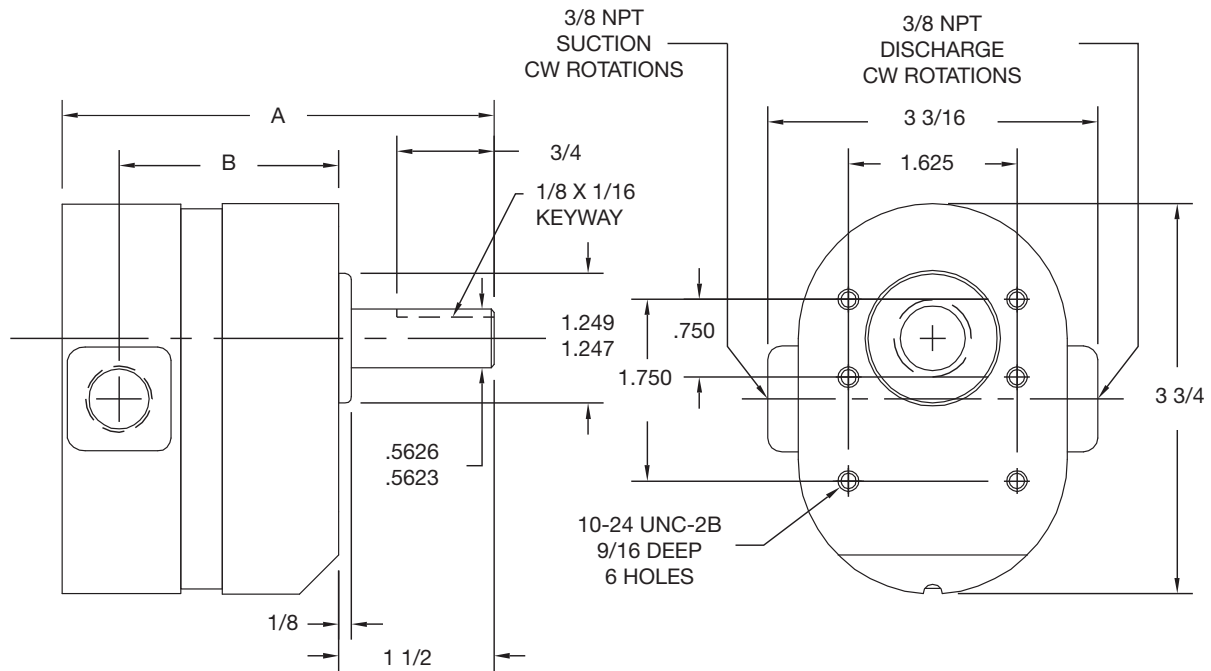
**PFG PERFORMANCE DATA
1150 RPM - 100 SSU OIL**



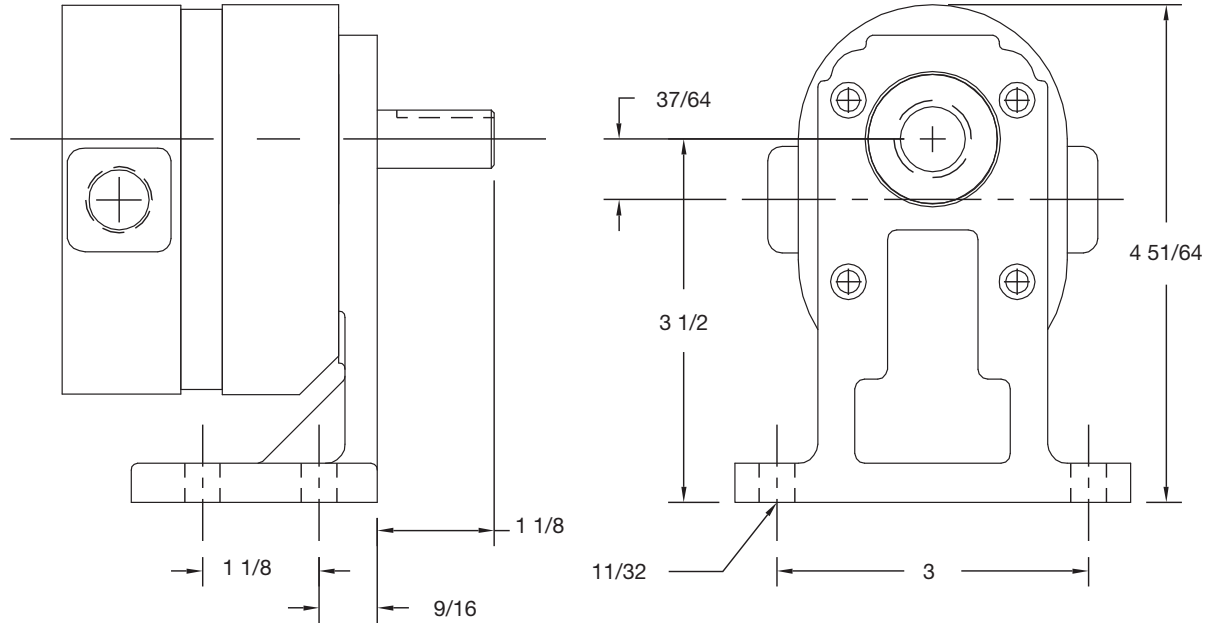
PFG PERFORMANCE DATA - 100 SSU OIL

MODEL	DISPLMNT GAL/REV	SLIP GPM/PSI	DRIVE SPEED RPM	0 PSI		100 PSI		300 PSI		500 PSI		750 PSI		1000 PSI		1250 PSI		1500 PSI		2000 PSI		
				GPM	HP	GPM	HP	GPM	HP	GPM	HP	GPM	HP	GPM	HP	GPM	HP	GPM	HP	GPM	HP	GPM
05	.0003	.00013	1150	.34	.10	.33	.12	.30	.15	.27	.17	.24	.22	.21	.25
			1725	.50	.11	.48	.13	.46	.17	.43	.25	.40	.30	.37	.40	.34	.46	.30	.55
10	.0006	.0002	1150	.67	.13	.65	.15	.61	.25	.57	.33	.52	.44	.47	.55	.42	.65	.37	.77	.27	1.00
			1725	1.00	.14	.98	.16	.94	.30	.90	.45	.85	.60	.80	.77	.75	.95	.70	1.12	.60	1.45
15	.0009	.0002	1150	1.00	.16	.98	.20	.94	.34	.90	.47	.85	.65	.80	.82	.75	1.00	.70	1.18	.60	1.53
			1725	1.50	.21	1.48	.25	1.44	.45	1.40	.55	1.35	.90	1.30	1.30	1.25	1.42	1.20	1.68	1.10	2.20
20	.0012	.0002	1150	1.34	.20	1.32	.25	1.28	.42	1.24	.60	1.19	.82	1.14	1.05	1.09	1.30	1.04	1.50	.94	2.00
			1725	2.00	.25	1.98	.30	1.94	.56	1.90	.85	1.85	1.18	1.80	1.50	1.75	1.87	1.70	2.22	1.60	2.90
30	.0018	.0003	1150	2.00	.25	1.97	.30	1.91	.55	1.85	.82	1.77	1.15	1.70	1.50	1.63	1.82	2.55	2.15
			1725	3.00	.31	2.97	.36	2.91	.75	2.85	1.18	2.77	1.63	2.70	2.10	2.63	2.60	2.55	3.10
40	.0024	.0003	1150	2.67	.30	2.64	.36	2.58	.70	2.52	1.05	2.44	1.45	2.37	1.88	2.30	2.30
			1725	4.00	.36	3.97	.45	3.91	.96	3.85	1.47	3.77	2.10	3.70	2.75	3.63	3.37
50	.0030	.0004	1150	3.34	.37	3.30	.45	3.22	.90	3.14	1.33	3.04	1.90	2.94	2.45
			1725	5.00	.45	4.96	.57	4.88	1.25	4.80	1.90	4.70	2.75	4.60	3.55

PFG-05 THRU PFG-50



PFG-05 THRU PFG-50 WITH FOOT ATTACHED



	05	10	15	20	30	40	50
A	3 55/64	3 31/32	4 1/16	4 11/64	4 23/64	4 9/16	4 3/4
B	3 5/16	3 27/64	3 33/64	3 5/8	3 13/16	4 1/64	4 13/64